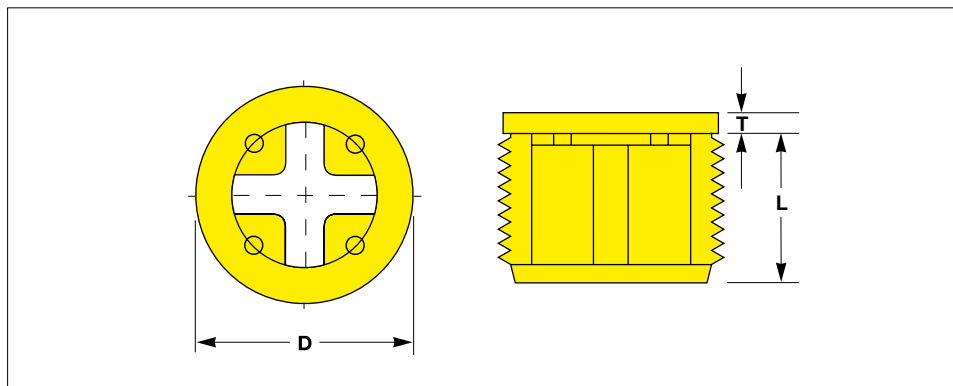


# Domestic Radiator Threaded Plugs

Flangeless. Specially designed for BSP thread sizes  
 Withstands temperatures up to + 180°C  
 Excellent for use with power tool



**Material :**  
Nylon 6

**Standard Colours :**  
green, red

Designed to protect BSP and metric fittings and threads from damage and contaminants.

The knurled head and screwdriver slot allow for easy installation and removal.

Think Plastic. Go Protec.®



All dimensions in mm

Pipe Thread DIN 259/DIN ISO 228 BSP Thread	D	L	T	Standard Colour	Reference-No.
R .1/4"	14.0	8.0	2.0	green	EP 4000 / G .1/4"
R .3/8"	17.4	8.3	2.5	red	EP 4000 / G .3/8"
R .1/2"	21.5	8.0	4.0	green	EP 4000 / G .1/2"
R .3/4"	28.0	8.0	4.0	red	EP 4000 / G .3/4"

Should your requirements not be shown please ask for separate quotation.  
 PROTEC products and specifications are subject to improvement and change without notice.

# Domestic Radiator Threaded Plugs

Flangeless. Specially designed for BSP thread sizes  
Withstands temperatures up to + 180°C  
Excellent for use with power tool

## TRIPLE ADVANTAGE of PROTEC CAPTOP®

**QUALITY.** Flangeless. Specially designed for BSP thread sizes.  
Withstands temperatures up to + 180°C. Excellent for use with power tool.

**AVAILABILITY.** With over 400 million moulded components shipped from our Oststeinbek / Hamburg logistics center we provide the fastest on time delivery service to all markets and industries.

**PHILOSOPHY.** Innovative protective closures at the best price in the market.



CAPTOP®



**Material :**  
Nylon 6

**Standard Colours :**  
green, red

**Individual Productions :**  
On request we develop and produce individually tailored solutions next to the standard items of this range: additional dimensions, different materials and new colours

We would be pleased to advise you.

Think Plastic. Go Protec.®

**PROTEC**  
**PLASTICS**